




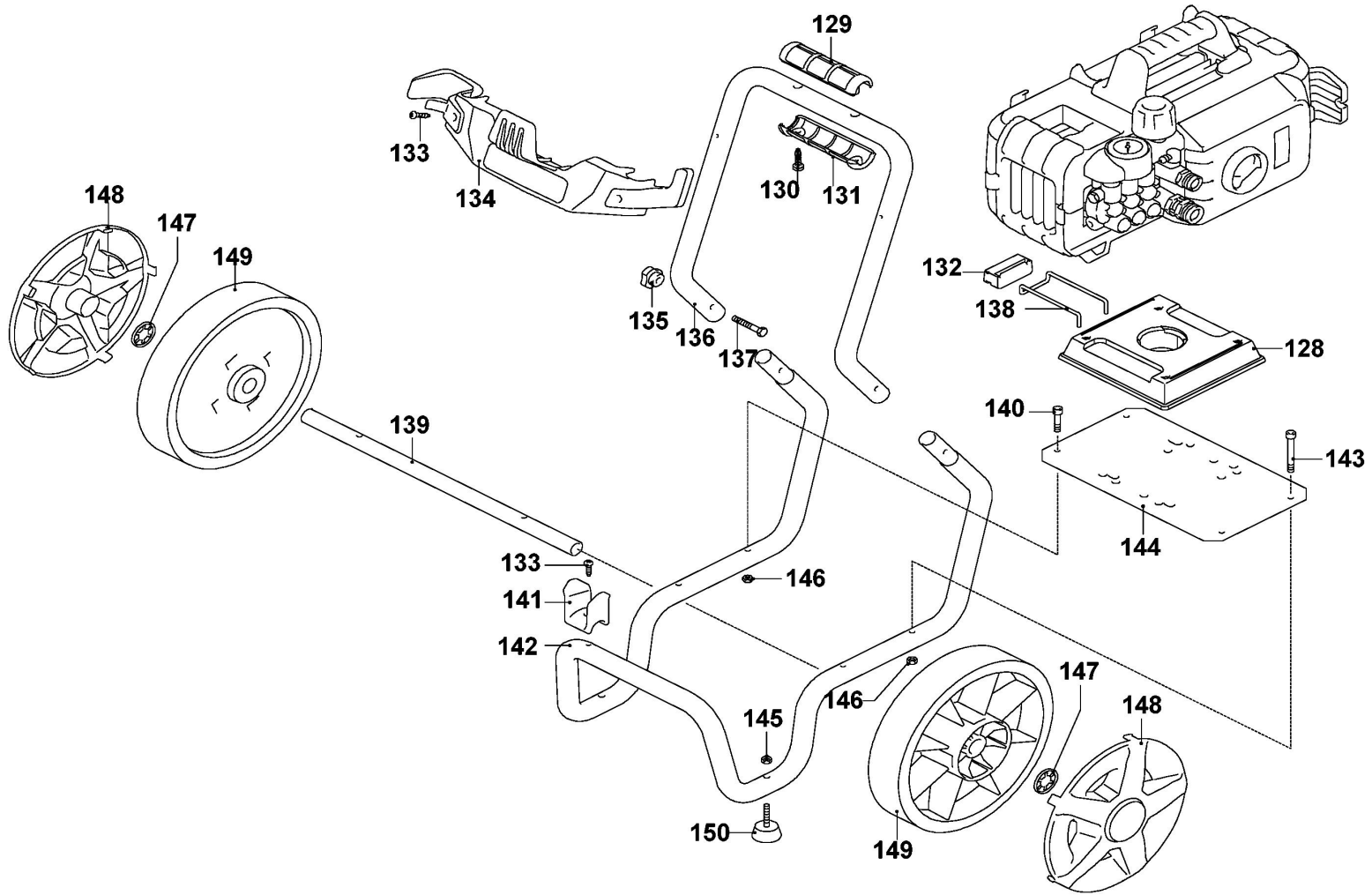
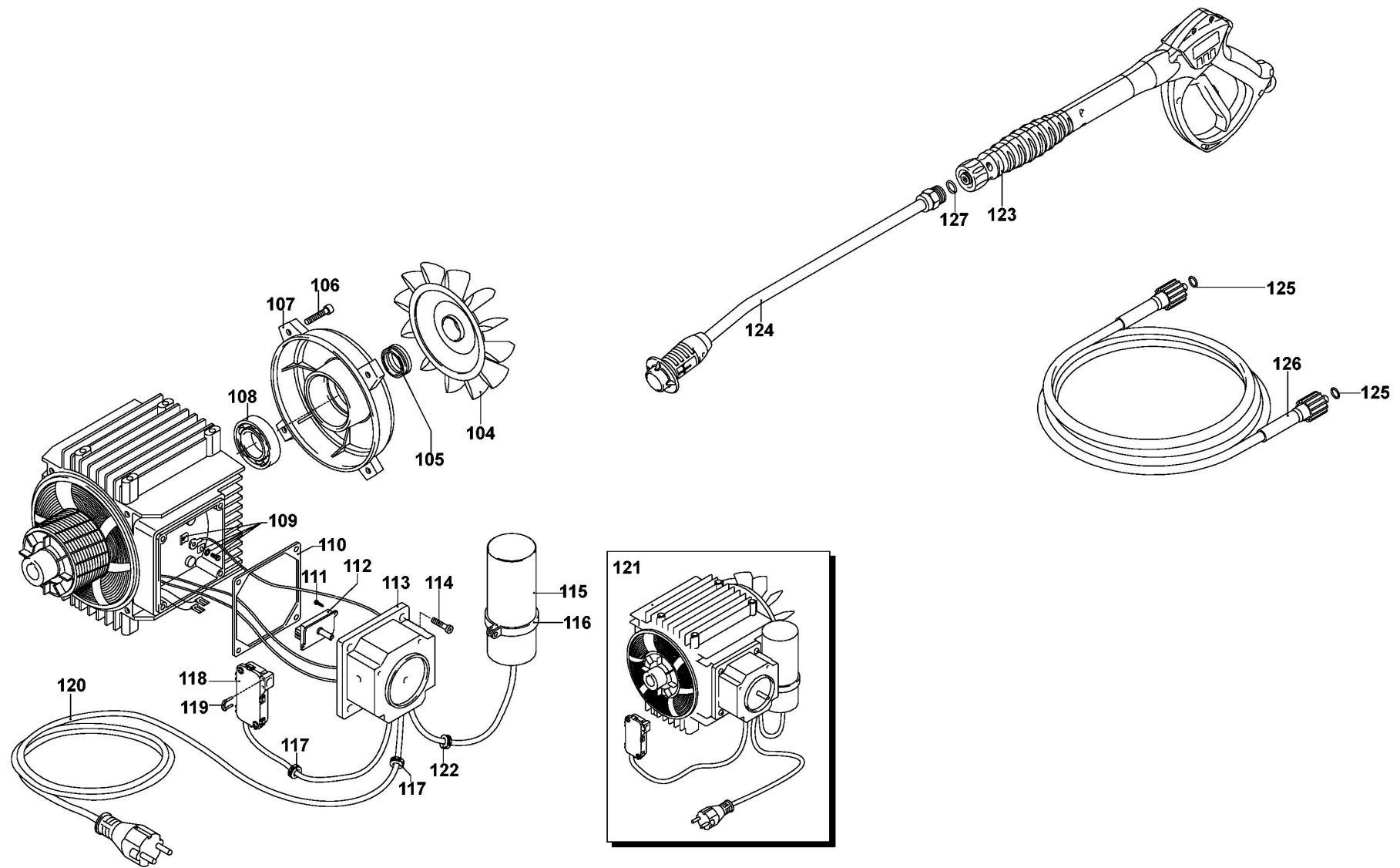
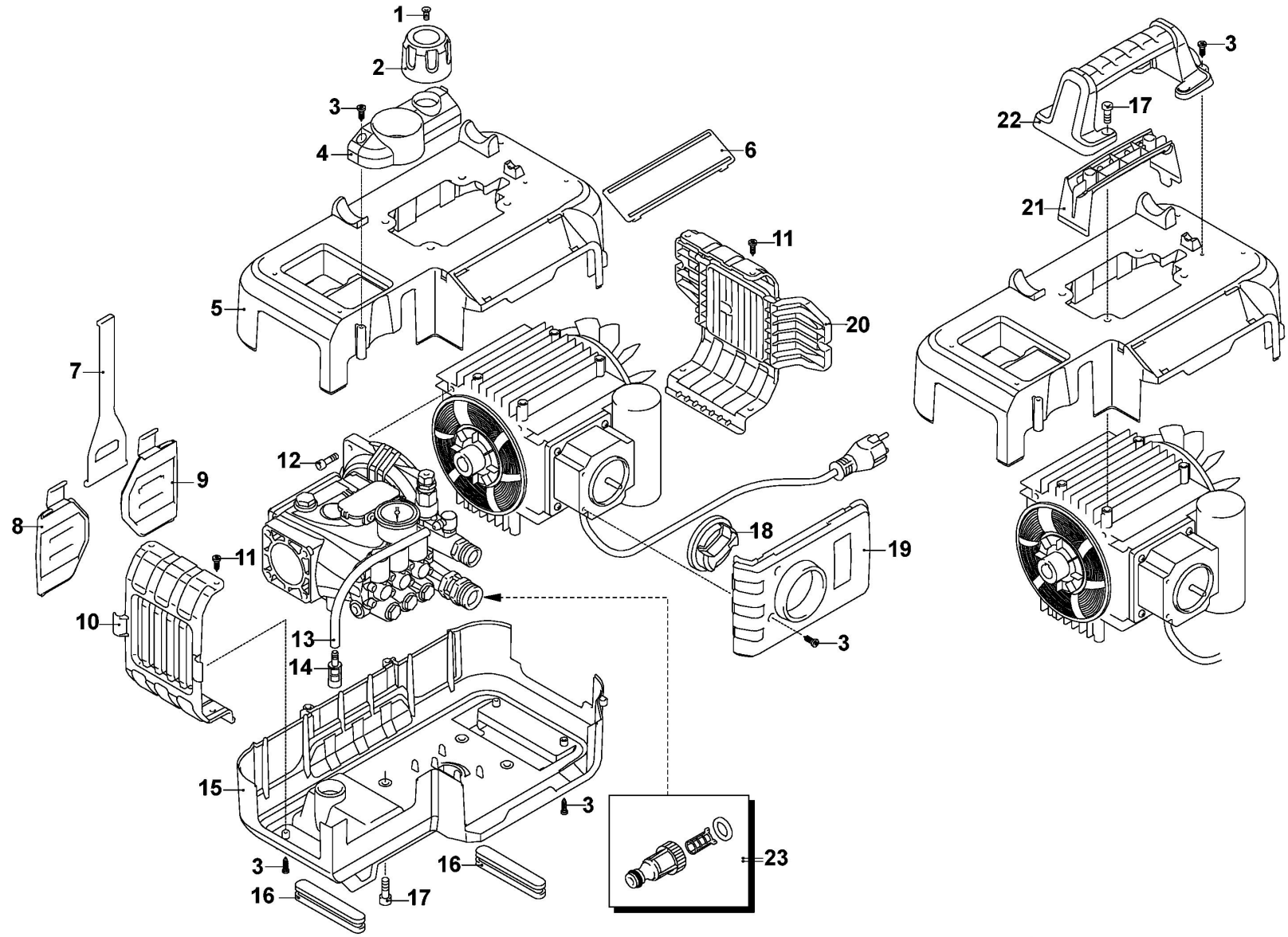


- A  99
- B  100
- C  101
- E  102
- F  103







Parts List DXPW002CE PRESSURE WASHER 1

Item	Part Number	Qty	Part Description	General Description	Other Info	Repair Inst	Markets
1	1004743-72	1	SCREW			No	QS
2	1004743-85	1	KNOB			No	QS
3	1004712-13	11	SCREW			No	QS
4	1004743-86	1	GUARD			No	QS
5	1004743-75	1	COVER-TOP			No	QS
6	1004714-01	1	GUARD			No	QS
7	1004743-84	1	CLAMP			No	QS
8	1004743-77	1	SUPPORT			No	QS
9	1004743-83	1	SUPPORT			No	QS
10	1004743-81	1	GUARD			No	QS
11	1004714-17	4	SCREW			No	QS
12	1004710-60	4	SCREW			No	QS
13	1004710-70	1	HOSE			No	QS
14	1004710-89	1	FILTER			No	QS
15	1004743-76	1	BASE SA			No	QS
16	1004714-16	2	FOOT			No	QS
17	1004710-12	8	SCREW			No	QS
18	1004713-73	1	KNOB			No	QS
19	1004743-78	1	GUARD			No	QS
20	1004743-82	1	GUARD			No	QS
21	1004743-80	1	GUARD			No	QS
22	1004743-79	1	HANDLE			No	QS
23	1004700-77	1	COUPLING SA			No	QS
24	1004730-85	1	PRESSURE GAUGE			No	QS
25	1004744-22	1	PLUG			No	QS
26	1004743-73	1	SCREW			No	QS
27	1004711-87	1	PLATE			No	QS
28	1004744-07	1	SPRING			No	QS
29	1004743-98	1	PISTON			No	QS
30	1004712-21	1	O RING			No	QS
31	1004709-88	1	O RING			No	QS
32	1004712-52	1	RING			No	QS

Parts List DXPW002CE PRESSURE WASHER 1

Item	Part Number	Qty	Part Description	General Description	Other Info	Repair Inst	Markets
33	1004743-74	1	GUIDE			No	QS
34	1004709-90	1	O RING			No	QS
35	1004710-05	1	O RING			No	QS
36	1004743-70	1	PISTON			No	QS
37	1004744-35	1	SEAT			No	QS
38	1004711-57	2	O RING			No	QS
39	1004712-33	1	CONNECTOR			No	QS
40	1004709-78	1	O RING			No	QS
41	1004710-50	1	BALL			No	QS
42	1004711-70	1	SPRING			No	QS
43	1004743-66	1	COUPLING			No	QS
44	1004712-56	1	O RING			No	QS
45	1004709-75	1	O RING			No	QS
46	1004712-49	1	INSERT			No	QS
47	1004712-51	1	SPRING			No	QS
48	1004744-23	1	SHUTTER			No	QS
49	1004712-14	1	O RING			No	QS
50	1004711-14	8	SCREW			No	QS
51	1004743-96	8	WASHER			No	QS
52	1004743-88	1	HEAD			No	QS
53	1004744-30	1	NUT			No	QS
54	1004743-71	1	SCREW			No	QS
55	1004712-46	1	PIN			No	QS
56	1004744-34	2	PLUG			No	QS
57	1004712-65	6	PLUG			No	QS
58	2849051	1	VALVE			No	QS
59	2841520	6	O RING			No	QS
60	1004712-18	6	SEAL			No	QS
61	1004709-90	1	O RING			No	QS
62	1004712-69	3	BUSHING			No	QS
63	1004709-93	3	O RING			No	QS
64	1004743-67	3	BUSH			No	QS

Parts List DXPW002CE PRESSURE WASHER 1

Item	Part Number	Qty	Part Description	General Description	Other Info	Repair Inst	Markets
65	1004744-43	3	O RING			No	QS
66	1004743-68	1	PLUG			No	QS
67	1004711-74	3	SEAL			No	QS
68	1004743-87	1	PUMP SA			No	QS
69	1004743-97	1	COVER			No	QS
70	1004744-04	2	RING			No	QS
71	1004744-06	1	COUPLING			No	QS
72	1004743-95	1	BEARING			No	QS
73	1004711-91	1	PLUG			No	QS
74	1004743-90	3	PISTON			No	QS
75	1004743-91	3	PIN			No	QS
76	1004743-92	3	CON ROD			No	QS
77	1004743-93	1	O RING			No	QS
78	1004744-01	4	SCREW			No	QS
79	1004743-89	1	COVER			No	QS
80	1004744-03	1	SHAFT			No	QS
81	1004743-94	1	BEARING			No	QS
82	1004743-99	1	RING			No	QS
83	1004744-00	1	SEAL			No	QS
84	1004711-28	1	KEY			No	QS
85	46065	1	HEAD SA			No	QS
86	1004710-44	1	O RING			No	QS
87	1004709-81	1	O RING			No	QS
88	1004744-08	1	PLUG			No	QS
89	1004743-68	1	PLUG			No	QS
90	1004744-05	1	PIN			No	QS
91	1004712-06	1	WASHER			No	QS
92	1004710-62	1	O RING			No	QS
93	1004713-50	1	RING			No	QS
94	1004709-79	1	O RING			No	QS
95	1004711-02	1	CONNECTOR			No	QS
96	1004743-58	1	PUMP SA			No	QS

Parts List DXPW002CE PRESSURE WASHER 1

Item	Part Number	Qty	Part Description	General Description	Other Info	Repair Inst	Markets
97	1004743-69	1	FLANGE			No	QS
98	1004710-12	4	SCREW			No	QS
99	1004744-27	1	VALVES & SEALS KIT			No	QS
100	1004744-15	1	PISTON KIT			No	QS
101	1004743-59	1	SEALS KIT			No	QS
102	1004744-26	1	SEALS KIT			No	QS
103	1004744-28	1	GASKET SET			No	QS
104	1004710-55	1	FAN			No	QS
105	1004710-85	1	SEAL			No	QS
106	1004711-14	4	SCREW			No	QS
107	1004711-12	1	SHIELD			No	QS
108	1004710-84	1	BEARING			No	QS
109	1004710-67	1	CLAMP			No	QS
110	1004710-86	1	GASKET			No	QS
111	1004712-01	2	SCREW			No	QS
112	1004712-80	1	SWITCH			No	QS
113	1004713-52	1	BOX			No	QS
114	1004710-64	4	SCREW			No	QS
115	1004711-95	1	CAPACITOR			No	QS
116	1004711-97	1	CLAMP			No	QS
117	1004712-04	2	GLAND			No	QS
118	1004743-65	1	BOX			No	QS
119	1004744-38	1	FORK			No	QS
120	1004714-18	1	CORDSET			No	QS
121	1004743-64	1	MOTOR SA			No	QS
122	1004711-55	1	GLAND			No	QS
123	1004709-16	1	HANDLE SA			No	QS
124	1004743-61	1	EXTENSION			No	QS
125	1004712-02	2	O RING			No	QS
126	1004714-04	1	HOSE			No	QS
127	1004709-73	1	O RING			No	QS
128	1345370	1	BRACKET			No	QS

Parts List DXPW002CE PRESSURE WASHER 1

Item	Part Number	Qty	Part Description	General Description	Other Info	Repair Inst	Markets
129	3580180	1	KNOB			No	QS
130	1004712-13	2	SCREW			No	QS
131	3580090	1	KNOB			No	QS
132	1345360	1	BUTTON			No	QS
133	1004712-12	3	SCREW			No	QS
134	4320050	1	CARRIER			No	QS
135	1004774-14	2	KNOB			No	QS
136	4320331	1	FRAME			No	QS
137	1004774-15	1	SCREW			No	QS
138	1345470	1	SPRING			No	QS
139	4320041	1	PIPE			No	QS
140	1004711-14	6	SCREW			No	QS
141	3600070	1	CARRIER			No	QS
142	4320011	1	FRAME			No	QS
143	2480310	2	SCREW			No	QS
144	4320031	1	PLATE			No	QS
145	3000170	2	NUT			No	QS
146	2480320	8	NUT			No	QS
147	380620	1	WASHER			No	QS
148	4320272	2	GUARD			No	QS
150	4320220	2	DAMPER			No	QS